

## Fixed Attenuators

DC- 40 GHz

### 2.92 mm and SMA Miniature Medium Power Attenuators

- Small Size and Light Weight
- Low VSWR
- Designed to Meet Environmental Requirements of MIL-A-3933E



### Specifications

2.92 mm (M/F), DC to 40 GHz, 3 to 6 W

FREQUENCY RANGE (GHz)	MODEL	ATTENUATION (dB)			POWER INPUT		VSWR (max.)	WEIGHT (max.)	
		NOMINAL	DEVIATION		AVERAGE (W max.)	PEAK (kW max.)		oz.	gr.
			DC-26.5	26.5-40					
DC-40	4777-3	3	±0.5	±0.8	6.0	0.2	1.4	0.53	15
	4777-6	6	±0.5	±0.8	4.0	0.2	1.4	0.53	15
	4777-10	10	±0.5	±0.8	3.3	0.2	1.4	0.53	15
	4777-20	20	±0.5	±0.8	3.0	0.2	1.4	0.53	15

SMA (M/F), DC to 18 GHz, 4.5 to 8 W

FREQUENCY RANGE (GHz)	MODEL	ATTENUATION (dB)		POWER INPUT		VSWR (max.)				WEIGHT (max.)	
		NOMINAL	DEVIATION	AVERAGE (W max.)	PEAK (kW max.)	DC-4	4-6	6-12.4	12.4-18	oz.	gr.
DC-18	4776-3	3	±0.3	8.0	0.2	1.15	1.25	1.30	1.35	0.9	25
	4776-6	6	±0.3	5.5	0.2	1.15	1.25	1.30	1.35	0.9	25
	4776-10	10	±0.5	4.5	0.2	1.15	1.25	1.30	1.35	0.9	25
	4776-20	20	±0.7	4.5	0.2	1.15	1.25	1.30	1.35	0.9	25
	4776-30	30	±1.0	4.5	0.2	1.15	1.25	1.30	1.35	0.9	25
	4776-40	40	±1.5	4.5	0.2	1.15	1.25	1.30	1.35	0.9	25
	4776-50	50	±1.5	4.5	0.2	1.15	1.25	1.30	1.35	0.9	25
	4776-60	60	±1.5	4.5	0.2	1.15	1.25	1.30	1.35	0.9	25

**NOTE:**

Temperature Coefficient: 0.0006 dB/dB/°C; Power Coefficient: 0.0005 dB/dB/W



# Fixed Attenuators

## Specifications

SMA (M/F), DC to 12.4 GHz, 4.5 to 8 W

FREQUENCY RANGE (GHz)	MODEL	ATTENUATION (dB)		POWER INPUT		VSWR (max.)		WEIGHT (max.)	
		NOMINAL	DEVIATION	AVERAGE (W max.)	PEAK (kW max.)	DC-6	6-12.4	oz.	gr.
DC-12.4	4775-3	3	±0.3	8.0	0.2	1.25	1.30	0.9	25
	4775-6	6	±0.3	5.5	0.2	1.25	1.30	0.9	25
	4775-10	10	±0.3	4.5	0.2	1.25	1.30	0.9	25
	4775-20	20	±0.5	4.5	0.2	1.25	1.30	0.9	25
	4775-30	30	±0.8	4.5	0.2	1.25	1.30	0.9	25

SMA (M/F), DC to 6 GHz, 4.5 to 8 W

FREQUENCY RANGE (GHz)	MODEL	ATTENUATION (dB)		POWER INPUT		VSWR (max.)		WEIGHT (max.)	
		NOMINAL	DEVIATION	AVERAGE (W max.)	PEAK (kW max.)	DC-4	4-6	oz.	gr.
DC-6	4774-3	3	±0.3	8.0	0.2	1.25	1.40	0.9	25
	4774-6	6	±0.3	5.5	0.2	1.25	1.40	0.9	25
	4774-10	10	±0.3	4.5	0.2	1.25	1.40	0.9	25
	4774-20	20	±0.3	4.5	0.2	1.25	1.40	0.9	25
	4774-30	30	±0.5	4.5	0.2	1.25	1.40	0.9	25

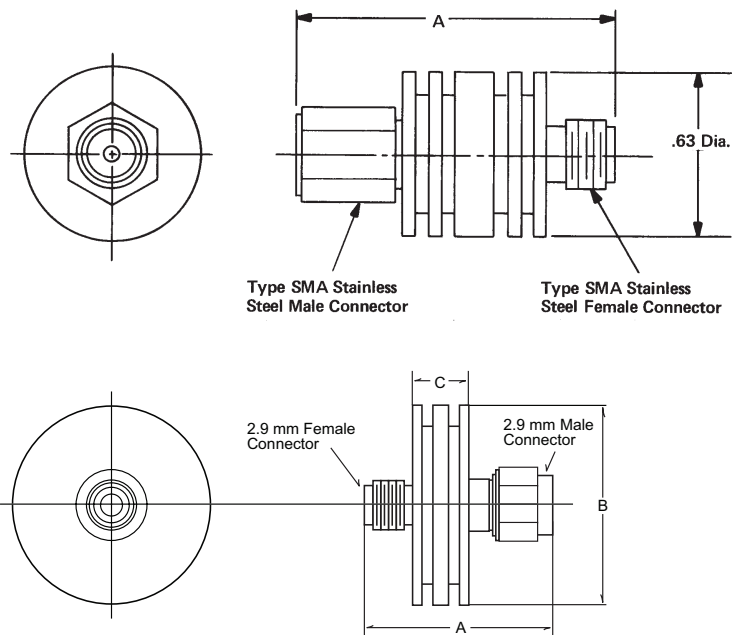
NOTE:

Temperature Coefficient: 0.0006 dB/dB/°C; Power Coefficient: 0.0005 dB/dB/W

## Outline Drawings

MODEL	ATTENUATOR (dB)	DIMENSION A
4776	3, 6, 10, 20	1.23
	30, 40, 50, 60	1.49
4775	3, 6, 10, 20	1.23
	30	1.49
4774	3, 6, 10, 20	1.23
	30	1.49

MODEL	A	B	C
4777-3			
4777-6	1.02	1.00	0.29
4777-10	(25.91)	(25.40)	(7.37)
4777-20			



Dimensions in inches, unless otherwise specified.

