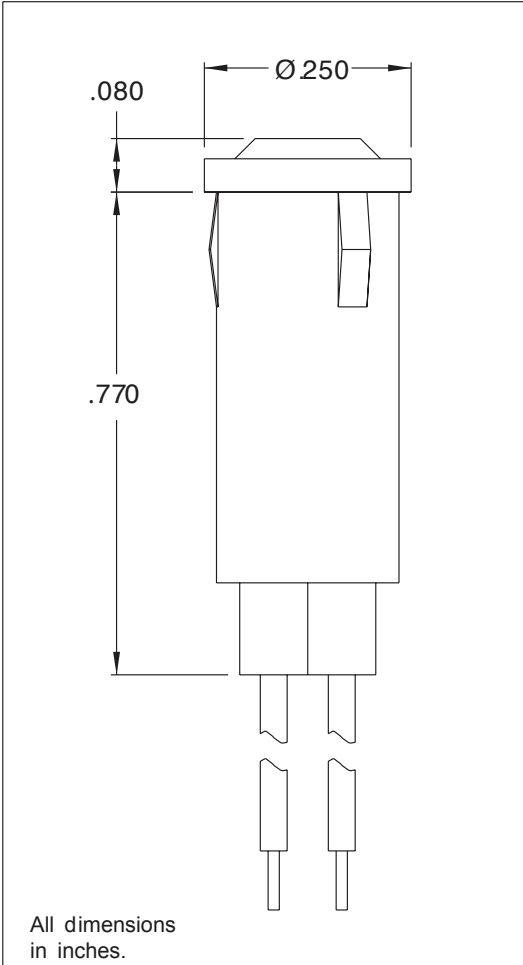




3990A Series 0.22" (5.5mm) LED Panel Mount Indicator



Features

Mounting: Will snap-fit into Ø.217" - .221" hole in panels
.031" - .062" thick

Wire leads: Red and White. #24 AWG, 4.4"/4.8" long, stripped .430"/.570"

Anode(+): Red lead

Housing: White nylon

Lens: Polycarbonate

Part Number	Color	Intensity Typ. (mcd)	Current Rated (mA)	Forward Current @1ms 20% Duty Cycle (mA)	Voltage Typ. Forward (V)	Forward Voltage Max. (V)	Power Dissipation (mW)	Voltage Min. Breakdown (V)
3990A1	Red	16	10	60	2.0	3.0	60	5
3990A5	Green	25	10	60	2.1	3.0	75	5
3990A7	Yellow	10	10	60	2.1	3.0	60	5