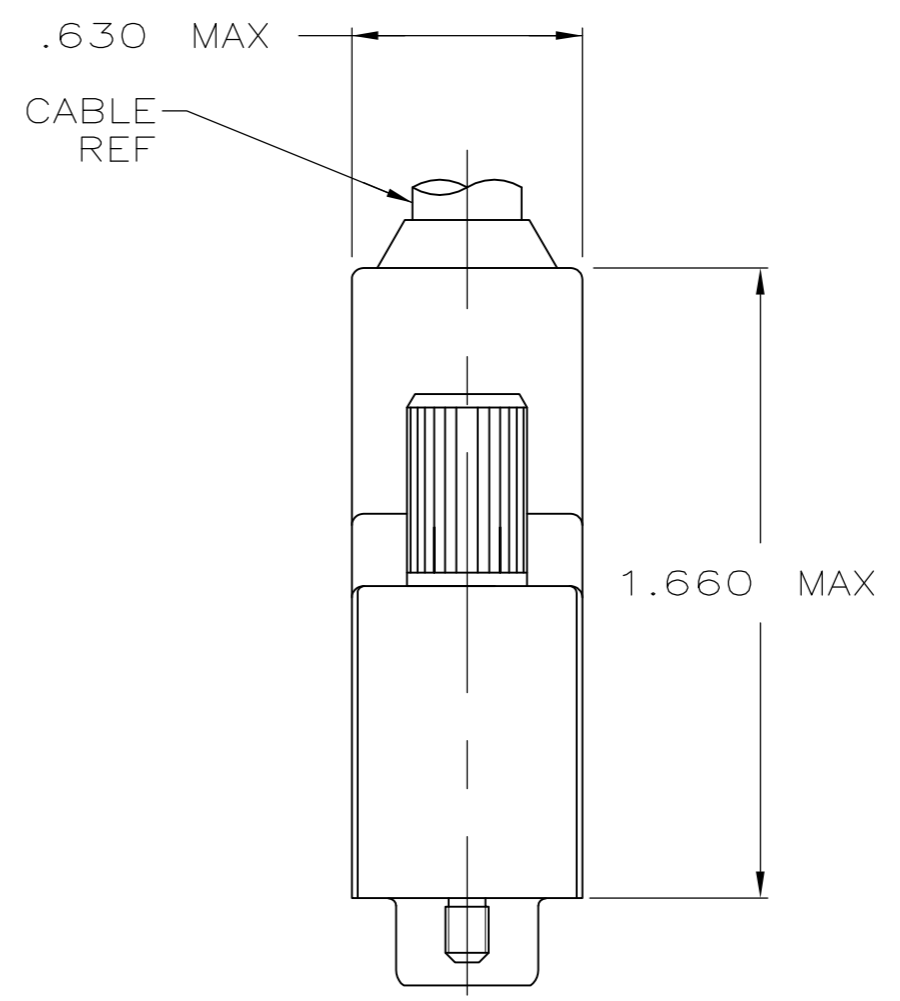
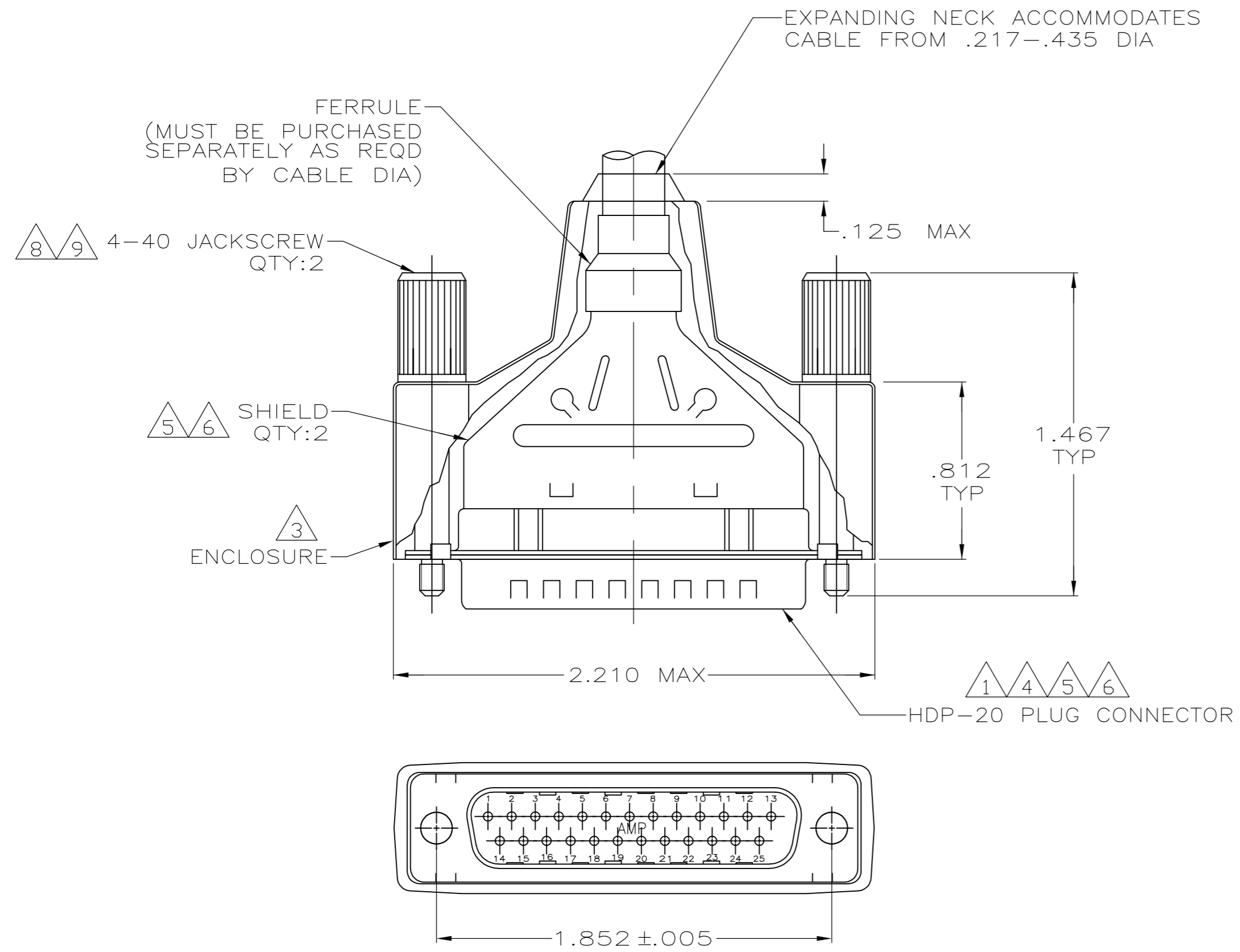


THIS DRAWING IS UNPUBLISHED. RELEASED FOR PUBLICATION  
 © COPYRIGHT - By - ALL RIGHTS RESERVED.

LOC		DIST		REVISIONS			
GP	00	P	LTR	DESCRIPTION	DATE	DWN	APVD
		C		REVISED PER ECO-11-006475	18OCT2011	CJV	CWR



- ① PLUG ACCEPTS SIZE 20 DF PIN CONTACTS. CONTACTS MUST BE PURCHASED SEPARATELY.
- 2. ALL PARTS SHIPPED UNASSEMBLED.
- ③ FLAME RETARDANT 94V-0 RATED, STYRENE POLYOLEFIN OR PVC, BLACK.
- ④ INSERT - FLAME RETARDANT 94V-0 RATED GLASS FILLED, NYLON OR POLYESTER, BLACK.
- ⑤ STEEL PER ASTM A109.
- ⑥ .000200 MIN TIN PLATE OVER .000100 MIN COPPER UNDERPLATE.
- ⑦ COMPONENTS INDIVIDUALLY BULK PACKED.
- ⑧ ZINC ALLOY.
- ⑨ ELECTRODEPOSITED POLYURETHANE, BLACK.

⑦	W/LOGOS	1658659-1
PACKAGING	REMARKS	PART NUMBER

THIS DRAWING IS A CONTROLLED DOCUMENT.		DWN	J.REITZEL	31JUL03	 TE Connectivity
DIMENSIONS: mm		CHK	S.BOLASH	31JUL03	
TOLERANCES UNLESS OTHERWISE SPECIFIED:		APVD	M.WALMSLEY	31JUL03	
0 PLC ± - 1 PLC ± - 2 PLC ± - 3 PLC ± .020 4 PLC ± - ANGLES ± - FINISH		PRODUCT SPEC	108-40030	NAME	
MATERIAL	③④⑤⑧	WEIGHT	-	SIZE	A2
CUSTOMER DRAWING		SCALE	2:1	CAGE CODE	00779
		DRAWING NO	C=1658659	SHEET	1 of 1
		REV	C		